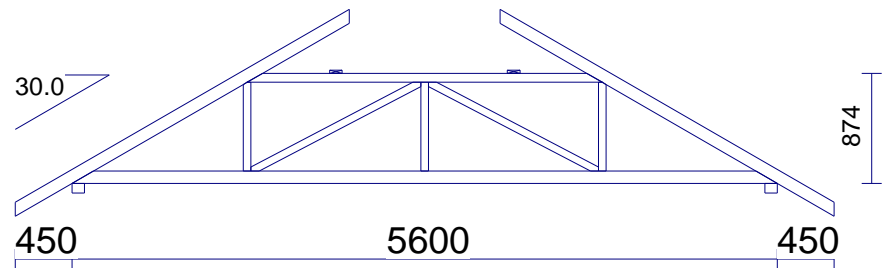
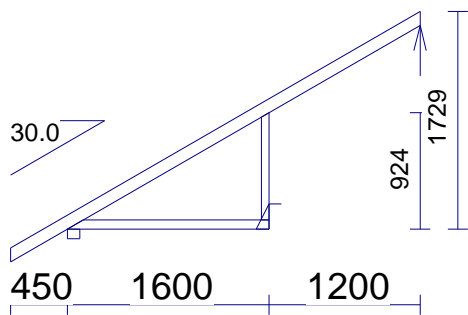


T1 3 OFF - 27 kg/ply



T2 1x1PLY & 1x2PLY - 31 kg/ply



T3 5 OFF - 10 kg/ply

E & H Baxendale Ltd. 263 Spendmore Lane, Coppull, Nr. Chorley. Tel 01257 791264		
SITE :Hipped End		
SPACING :600mm	DATE : 18-1-2004	PROJECT : Common Roof Shapes
Drawn : Richard		Checked :
LOADS:Tiles=685	Snow=750 N/m2	DRG NO : HE1