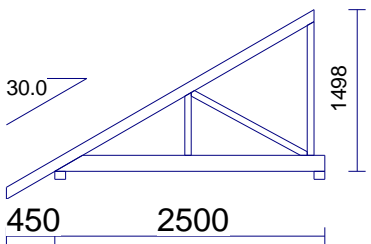
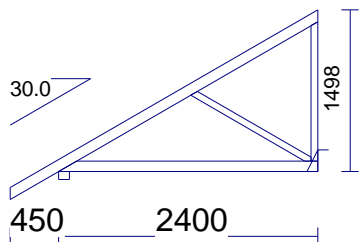


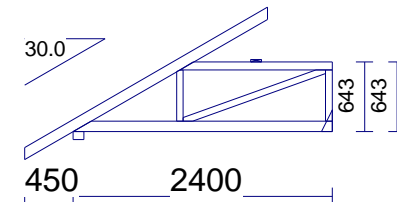
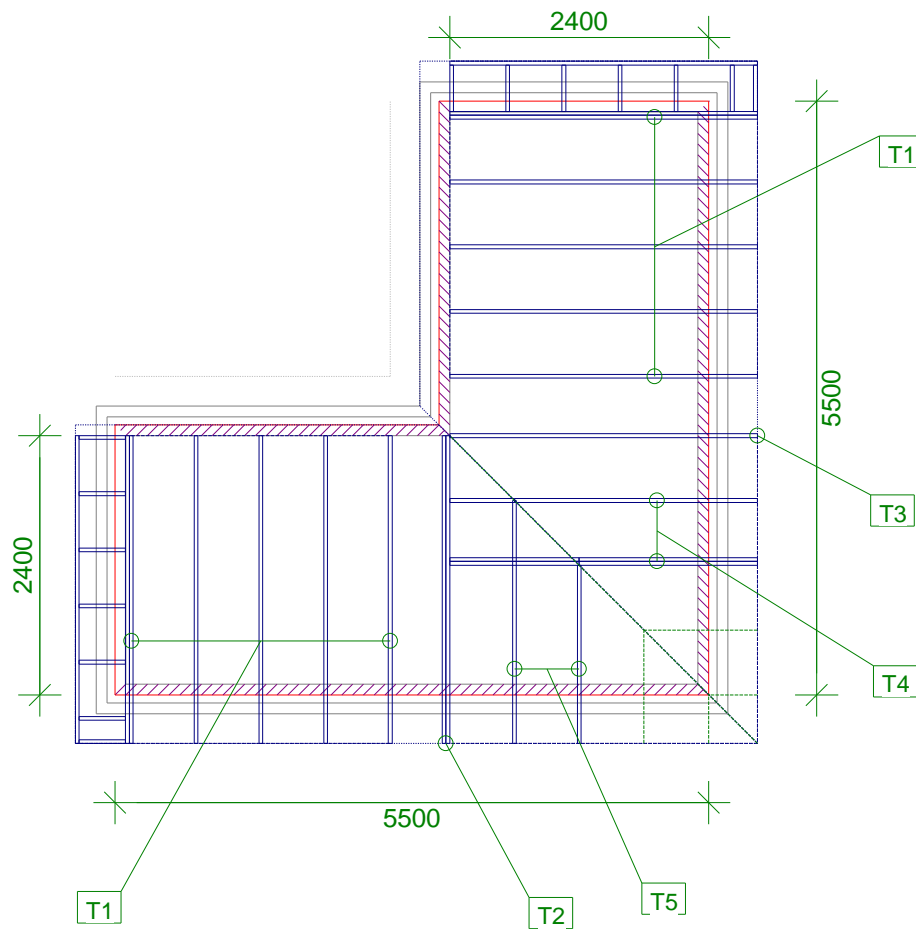
T1 10 OFF - 14 kg/ply



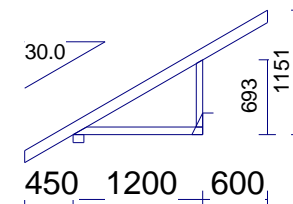
T2 1x2PLY - 16 kg/ply



T3 1 OFF - 13 kg/ply



T4 1x1PLY & 1x2PLY - 14 kg/ply



T5 2 OFF - 7 kg/ply

E & H Baxendale Ltd. 263 Spendmore Lane, Coppull, Nr. Chorley. Tel 01257 791264		
SITE :		
SPACING : 600mm	DATE : 3-2-2004	PROJECT : Mono L Return Hip End
Drawn : Richard		Checked :
LOADS: Tiles=685	Snow=750 N/m2	DRG NO : MLRH1